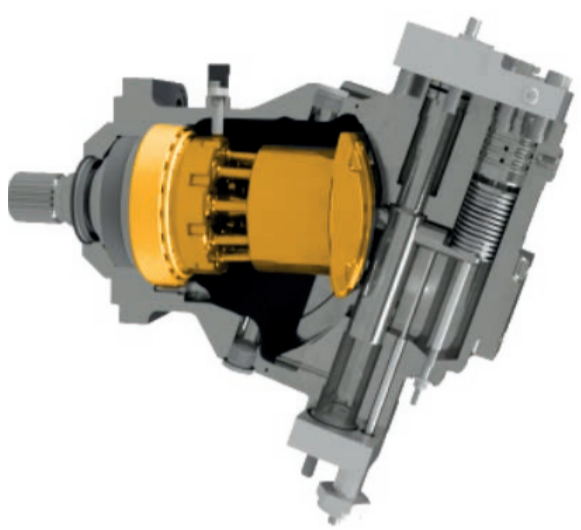


# 3 Reasons to Choose V16 for Your Mobile Application



Series V16 is a new generation of variable displacement, bent-axis motors. A further development of our well known V12 and V14 motor series. It is designed for both open and closed circuit transmissions with focus on high performance machines.

## 1 Fuel & Cost Savings



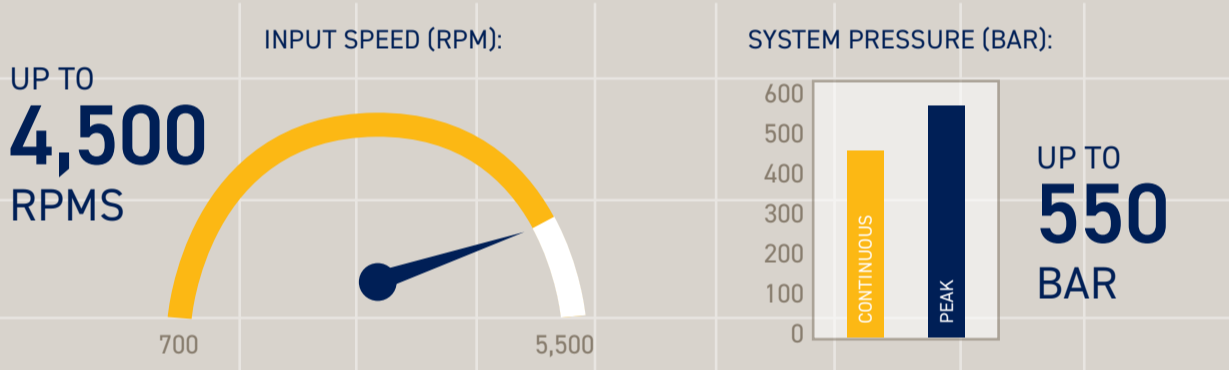
V16 is probably the most efficient variable bent-axis motors on the market. Now with the ability of stroking to

**ZERO DISPLACEMENT.**

This will give superior fuel savings and reduced environmental footprint.

## 2 Outstanding Performance

V16 high speed motors offer superior performance, outstanding efficiency and speed capability throughout the entire displacement range.



## 3 Optimal control under extreme conditions

The V16 Variable motor offer world class displacement ratio (5,5:1). This increased working range of displacement gives very high resolution which means accuracy and controllability. Perfect for a variety of applications:



Visit our product page on [parker.com](http://parker.com) to find the catalogue and our the promotion video.



[parker.com/pmde](http://parker.com/pmde)

© 2022 Parker Hannifin Corporation, all rights reserved